

Extractor Tool

**Application Tooling
Specification Sheet**

Order No. 63824-5300

FEATURES

- Helps remove the wedgelock (TPA) from plug and receptacle housings
- Releases the internal latch for terminal removal on plug and receptacle housings
- Pushes the wedgelock (TPA) into the receptacle housing
- For 18 circuit ML-XT assemblies, use extractor tool 63813-1900

SCOPE

Products: ML-XT™ Sealed Connection System and Crimp Terminals.

Terminal Series No.	Terminal Order No.	Housing Series No.	Housing Order No.					
84524	84524-0004 84524-0014	93444	93444-1101	93444-1102	93444-1103	93444-1104	93444-1105	93444-1106
			93444-1107	93444-1108	93444-1109	93444-1201	93444-1202	93444-1203
			93444-1204	93444-1205	93444-1206	93444-1207	93444-1208	93444-1209
			93444-1501	93444-1502	93444-1503	93444-1504	93444-1505	93444-1506
			93444-1507	93444-1508	93444-1509	93444-1601	93444-1602	93444-1603
			93444-1604	93444-1605	93444-1606	93444-1607	93444-1608	93444-1609
			93444-3101	93444-3102	93444-3103	93444-3104	93444-3105	93444-3106
			93444-3107	93444-3108	93444-3109	93444-3201	93444-3202	93444-3203
			93444-3204	93444-3205	93444-3206	93444-3207	93444-3208	93444-3209
			93444-3501	93444-3502	93444-3503	93444-3504	93444-3505	93444-3506
			93444-3507	93444-3508	93444-3509	93444-3601	93444-3602	93444-3603
			93444-3604	93444-3605	93444-3606	93444-3607	93444-3608	93444-3609
			93444-4101	93444-4102	93444-4103	93444-4104	93444-4105	93444-4106
			93444-4107	93444-4108	93444-4109	93444-4201	93444-4202	93444-4203
			93444-4204	93444-4205	93444-4206	93444-4207	93444-4208	93444-4209
			93444-4501	93444-4502	93444-4503	93444-4504	93444-4505	93444-4506
			93444-4507	93444-4508	93444-4509	93444-4601	93444-4602	93444-4603
			93444-4604	93444-4605	93444-4606	93444-4607	93444-4608	93444-4609
			93444-5101	93444-5102	93444-5103	93444-5104	93444-5105	93444-5106
			93444-5107	93444-5108	93444-5109	93444-5201	93444-5202	93444-5203
			93444-5204	93444-5205	93444-5206	93444-5207	93444-5208	93444-5209
			93444-5501	93444-5502	93444-5503	93444-5504	93444-5505	93444-5506
			93444-5507	93444-5508	93444-5509	93444-5601	93444-5602	93444-5603
			93444-5604	93444-5605	93444-5606	93444-5607	93444-5608	93444-5609
			93444-6101	93444-6102	93444-6103	93444-6104	93444-6105	93444-6106
			93444-6107	93444-6108	93444-6109	93444-6201	93444-6202	93444-6203
			93444-6204	93444-6205	93444-6206	93444-6207	93444-6208	93444-6209
93444-6501	93444-6502	93444-6503	93444-6504	93444-6505	93444-6506			
93444-6507	93444-6508	93444-6509	93444-6601	93444-6602	93444-6603			
93444-6604	93444-6605	93444-6606	93444-6607	93444-6608	93444-6609			
84525	84525-0009 84525-0032	93445	93445-1101	93445-1102	93445-1103	93445-1104	93445-1105	93445-1106
			93445-1107	93445-1108	93445-1109	93445-1201	93445-1202	93445-1203
			93445-1204	93445-1205	93445-1206	93445-1207	93445-1208	93445-1209
			93445-1501	93445-1502	93445-1503	93445-1504	93445-1505	93445-1506

Terminal Series No.	Terminal Order No.	Housing Series No.	Housing Order No.					
84525	84525-0009 84525-0032	93445	93445-1507	93445-1508	93445-1509	93445-1601	93445-1602	93445-1603
			93445-1604	93445-1605	93445-1606	93445-1607	93445-1608	93445-1609
			93445-2101	93445-2102	93445-2103	93445-2104	93445-2105	93445-2106
			93445-2107	93445-2108	93445-2109	93445-2201	93445-2202	93445-2203
			93445-2204	93445-2205	93445-2206	93445-2207	93445-2208	93445-2209
			93445-2501	93445-2502	93445-2503	93445-2504	93445-2505	93445-2506
			93445-2507	93445-2508	93445-2509	93445-2601	93445-2602	93445-2603
			93445-2604	93445-2605	93445-2606	93445-2607	93445-2608	93445-2609
			93445-3101	93445-3102	93445-3103	93445-3104	93445-3105	93445-3106
			93445-3107	93445-3108	93445-3109	93445-3201	93445-3202	93445-3203
			93445-3204	93445-3205	93445-3206	93445-3207	93445-3208	93445-3209
			93445-3501	93445-3502	93445-3503	93445-3504	93445-3505	93445-3506
			93445-3507	93445-3508	93445-3509	93445-3601	93445-3602	93445-3603
			93445-3604	93445-3605	93445-3606	93445-3607	93445-3608	93445-3609
			93445-4101	93445-4102	93445-4103	93445-4104	93445-4105	93445-4106
			93445-4107	93445-4108	93445-4109	93445-4201	93445-4202	93445-4203
			93445-4204	93445-4205	93445-4206	93445-4207	93445-4208	93445-4209
			93445-4501	93445-4502	93445-4503	93445-4504	93445-4505	93445-4506
			93445-4507	93445-4508	93445-4509	93445-4601	93445-4602	93445-4603
			93445-4604	93445-4605	93445-4606	93445-4607	93445-4608	93445-4609
			93445-5101	93445-5102	93445-5103	93445-5104	93445-5105	93445-5106
			93445-5107	93445-5108	93445-5109	93445-5201	93445-5202	93445-5203
			93445-5204	93445-5205	93445-5206	93445-5207	93445-5208	93445-5209
			93445-5501	93445-5502	93445-5503	93445-5504	93445-5505	93445-5506
			93445-5507	93445-5508	93445-5509	93445-5601	93445-5602	93445-5603
			93445-5604	93445-5605	93445-5606	93445-5607	93445-5608	93445-5609
			93445-6101	93445-6102	93445-6103	93445-6104	93445-6105	93445-6106
			93445-6107	93445-6108	93445-6109	93445-6201	93445-6202	93445-6203
			93445-6204	93445-6205	93445-6206	93445-6207	93445-6208	93445-6209
			93445-6501	93445-6502	93445-6503	93445-6504	93445-6505	93445-6506
93445-6507	93445-6508	93445-6509	93445-6601	93445-6602	93445-6603			
93445-6604	93445-6605	93445-6606	93445-6607	93445-6608	93445-6609			

DESCRIPTION:

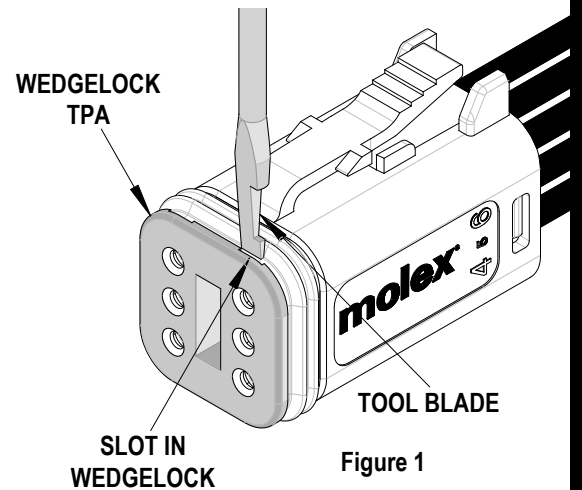
This extractor tool is 136mm (5.35 in.) long by 10mm (.39 in.) diameter, and weighs about 0.03kg (1 oz.).

Wedglock (TPA) Removal

To remove a crimped terminal from the connector housing, the Wedglock (TPA) must be removed first.

Plug Wedglock

1. Position the blade of the extraction tool into the slot in the front face of the Wedglock. See Figure 1.



2. Use the tool blade to pry the Wedgeloek away from the connector housing. On larger housings it may be necessary to reposition the tool to gradually pry off the Wedgeloek.
3. The connector without the Wedgeloek will look like Figure 2.
4. To re-seat the Wedgeloek, place it in the connector and snap it closed by hand.

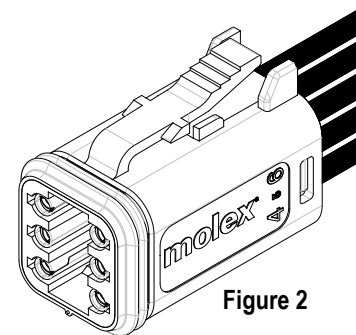


Figure 2

Receptacle Wedgeloek

1. Position the blade of the insertion tool inside the connector so the blade hook engages the Wedgeloek as shown in Figure 3.

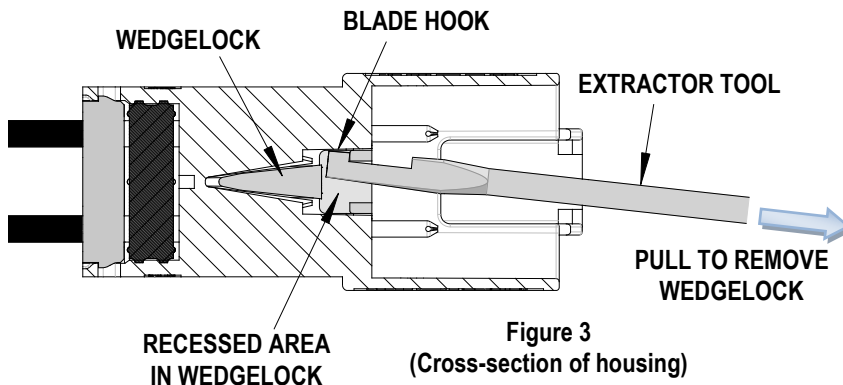


Figure 3
(Cross-section of housing)

2. While holding the hook against the Wedgeloek, pull the tool away from the connector to remove the Wedgeloek.
3. The connector without the Wedgeloek will look like Figure 4.

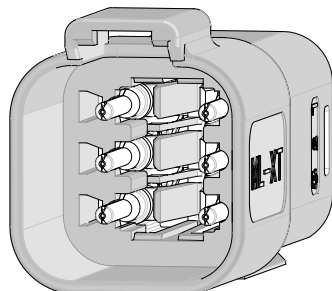


Figure 4

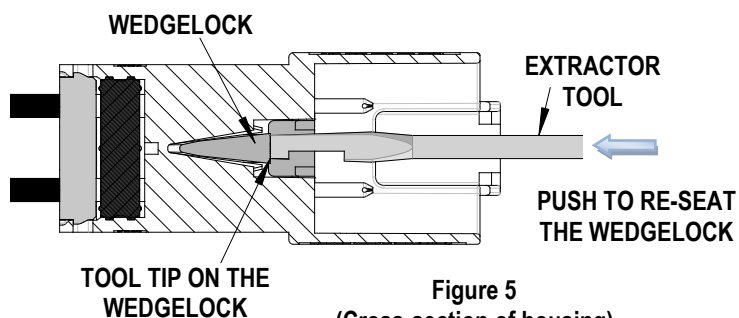


Figure 5
(Cross-section of housing)

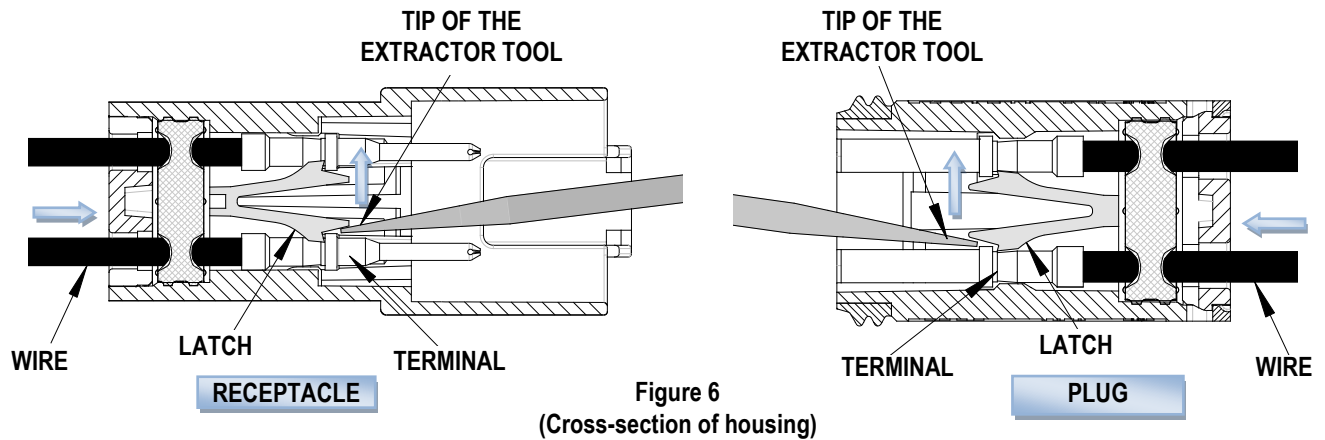
4. To re-seat the Wedgeloek, place the Wedgeloek in the connector and use the tool tip to push the Wedgeloek in until it snaps in place. See Figure 5.

Terminal Removal

The thin blade of the tool is used to raise the internal latch of the connector to release the terminal.

1. Using gentle pressure, push the wire (to be removed) forward in the connector.
2. Place the blade of the tool in the housing so it engages the latch for the terminal to be removed. See Figure 6.

3. Use a pivoting motion to raise the latch. While holding the latch open, pull the wire and terminal out of the housing.



CAUTION: This extractor tool should be used to extract the terminal or wedgelock only. Using it for unintended purposes may cause injury or damage to parts. Be careful not to deform the end of the terminal. Avoid lifting the housing lock too high.

CAUTION: Molex specifications are valid only when used with Molex terminals, applicators and tooling.

Molex does not offer repair parts for Extractor Tools due to the inexpensive nature of these tools.

Contact Information

For more information on Molex application tooling please contact your nearest Molex location shown below.

Visit our Web site at <http://www.molex.com>