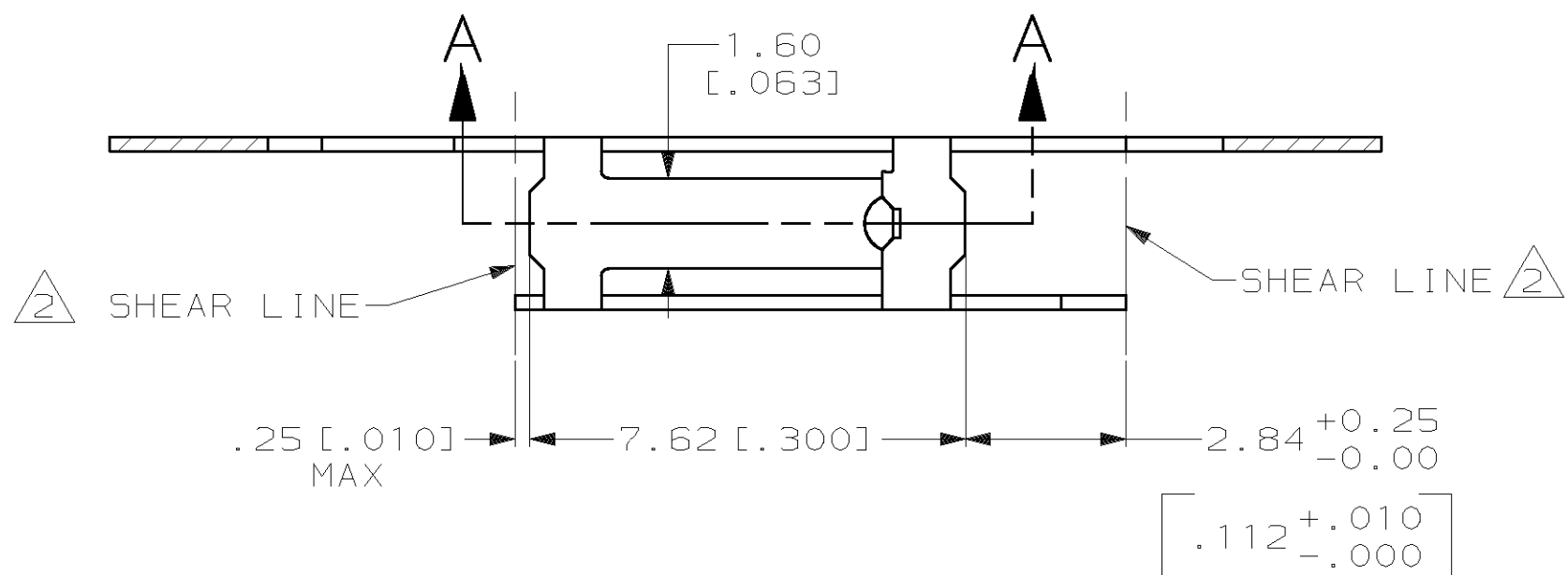
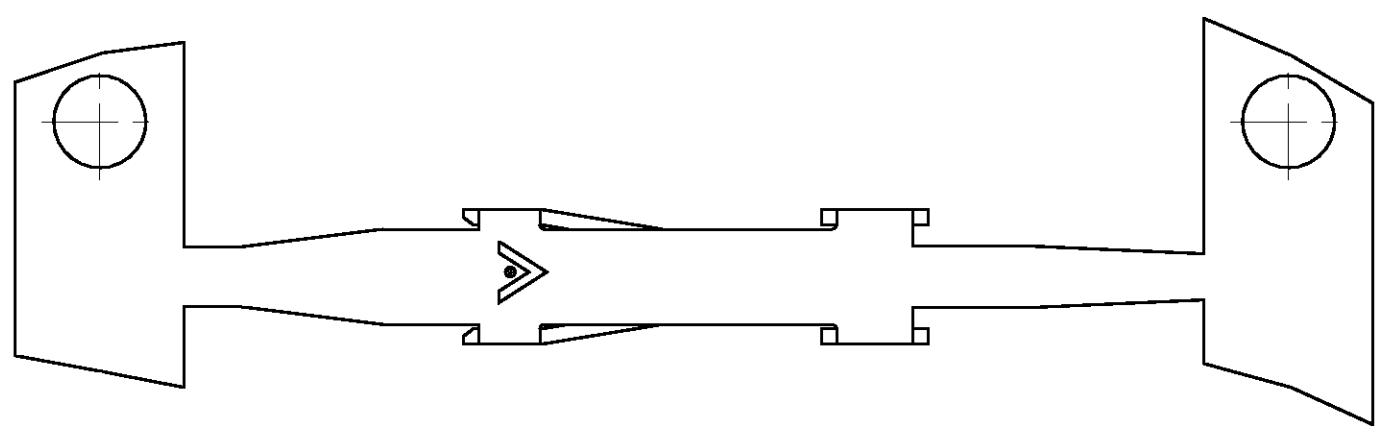
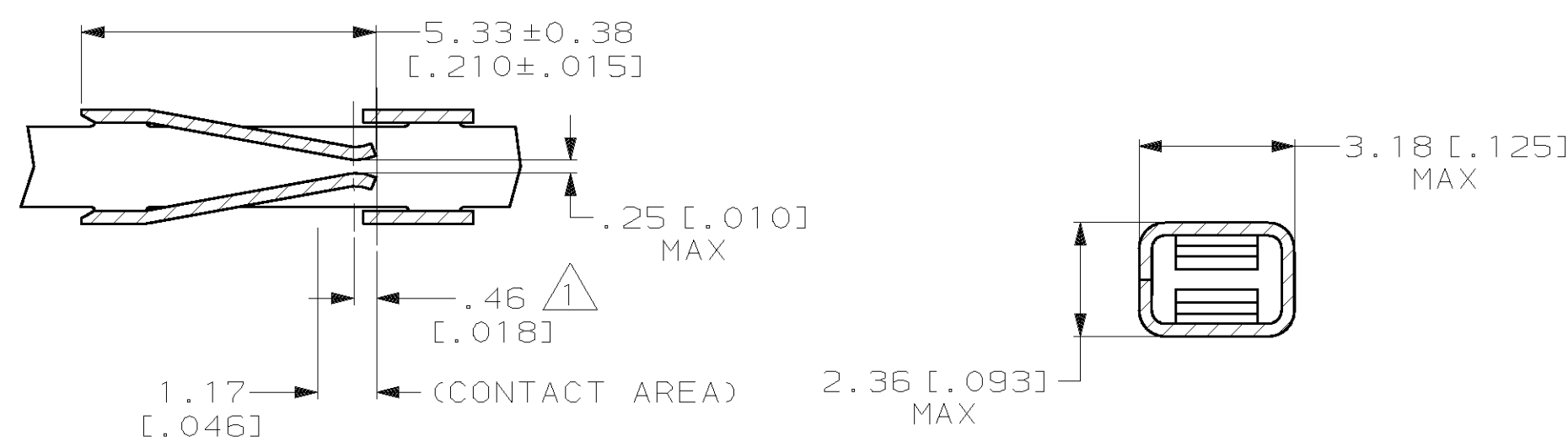
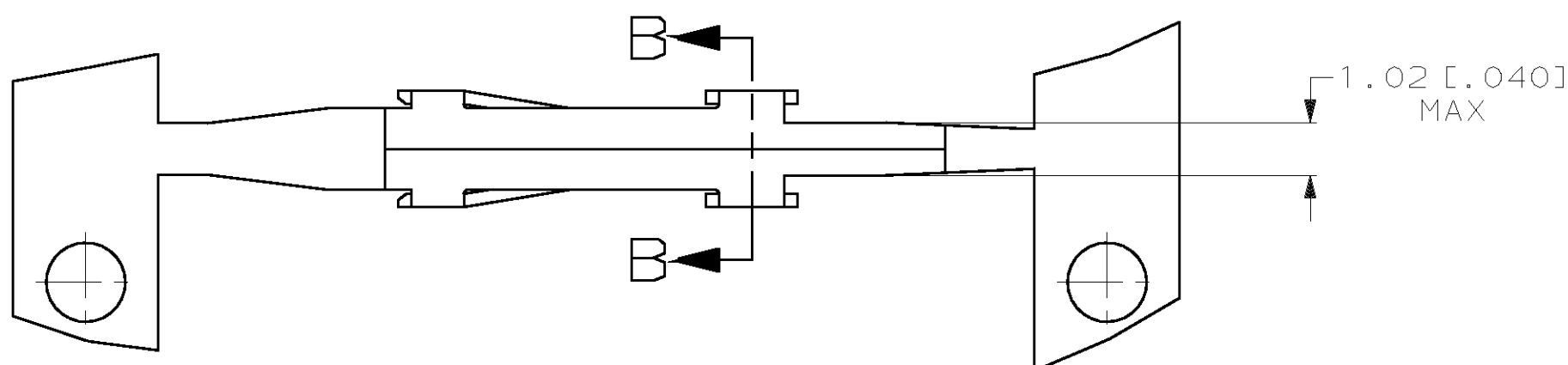


THIS DRAWING IS UNPUBLISHED. RELEASED FOR PUBLICATION
 © COPYRIGHT 19 BY AMP INCORPORATED. ALL INTERNATIONAL RIGHTS RESERVED.

LOC		DIST		ZONE		LTR		REVISIONS		
AD	39	P	F					DESCRIPTION	DATE	APPD
						H		REV PER 0010-1175-95	12-30-96	JH
						J		REV PER 063C-0062-00	11FEB00	MZ



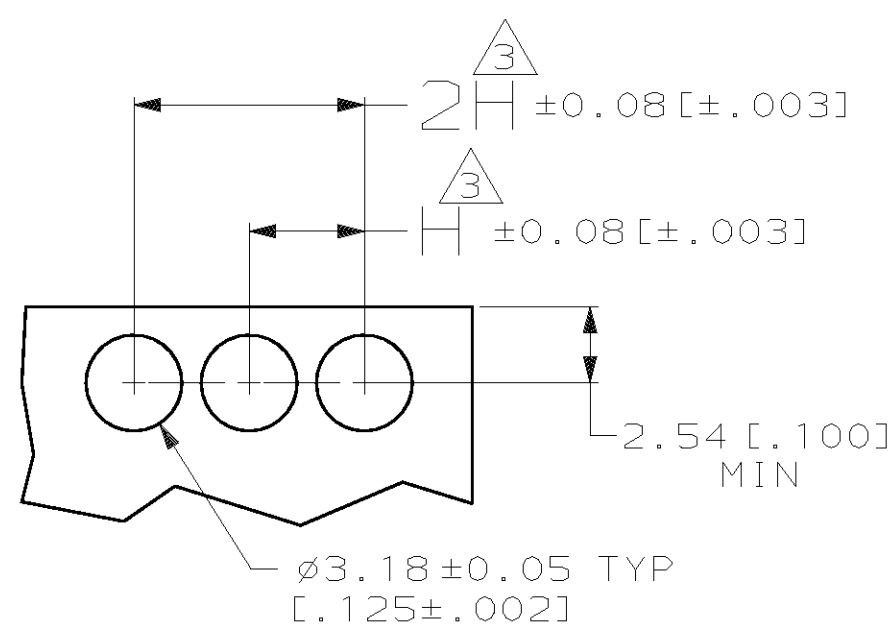
- 1 POINT OF MEASUREMENT FOR PLATING THICKNESS (INSIDE BEAMS).
- 2 SHEAR LINES DEFINE LOOSE PIECE PART.
- 3 "H" RECEPTACLE CENTERS MAY VARY DEPENDING ON REQUIREMENTS. MINIMUM NOMINAL CENTER SPACING BETWEEN ADJACENT RECEPTACLES IS 3.81±0.08[.150±.003].
- 4 GOLD FLASH OVER 0.00127[.000050] NICKEL ENTIRE TERMINAL, 0.00076[.000030] GOLD ON CONTACT AREA ONLY.
- 5 0.00200 [.000079] MIN TIN.
- 6 0.00038[.000015] GOLD ON CONTACT AREA, 0.00254-0.00508[.000100-.000200] BRIGHT TIN-LEAD ON TERMINATION AREA, ALL OVER 0.00127[.000050] NICKEL ENTIRE TERMINAL.
- 7 0.00076[.000030] GOLD ON CONTACT AREA, 0.00254-0.00508[.000100-.000200] BRIGHT TIN-LEAD ON TERMINATION AREA, ALL OVER 0.00127[.000050] NICKEL ENTIRE TERMINAL.



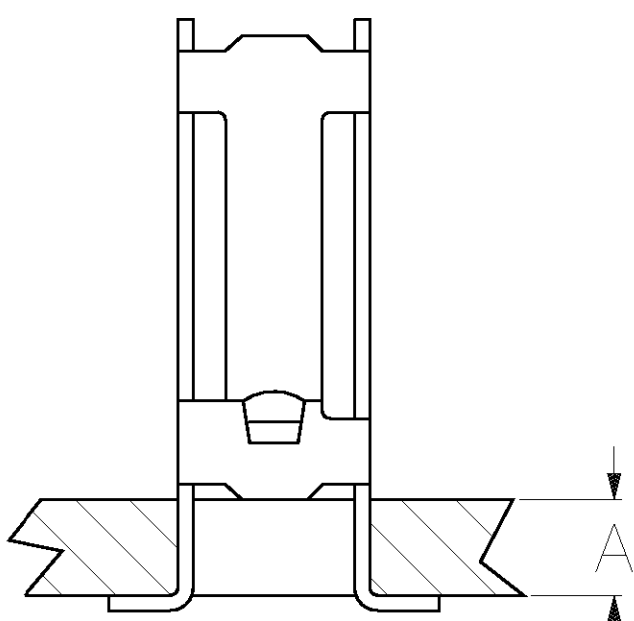
SECTION A-A

SECTION B-B

OBSOLETE	MINATURE	87105-4	7	87003-6
OBSOLETE	MINATURE	87105-3	6	87003-4
	MINATURE	87105-2	5	87003-2
	MINATURE	87105-1	4	87003-1
REELED FOR APPLICATOR	LOOSE PIECE PART NO	FINISH	PART NUMBER	



RECOMMENDED P.C. BOARD LAYOUT



TYPICAL APPLICATION

THIS DRAWING IS A CONTROLLED DOCUMENT FOR AMP INCORPORATED. IT IS SUBJECT TO CHANGE AND THE CONTROLLING ENGINEERING ORGANIZATION SHOULD BE CONTACTED FOR THE LATEST REVISION.

DO NOT SCALE PRINT. UNLESS SPECIFIED DIMENSIONS IN mm [INCHES] TOLERANCES ON : 2 PLC DEC ± - 3 PLC DEC ± 0.13[.005] ANGLES ± -		DR 7-18-94 E. BRANDBERG CHK 7-18-94 J. HERRINGTON APPD 7-18-94 J. HERRINGTON APPD 7-18-94 D. DUPLER		AMP AMP Incorporated Harrisburg, PA 17105-3608	
MATERIAL PHOS BRONZE	FINISH - SEE TABLE	APPLICATION SPEC -	PRODUCT SPEC -	NAME RECEPTACLE, MOD I, STANDARD PRESSURE, TYPE B	
WEIGHT -	SCALE 8:1	CAGE CODE 00779	DRAWING NO C=87003	PART NO	
			SHEET 1 OF 1		