

# Customer Information Sheet

DRAWING No.: M7565/66/67/71-XX

SHEET 2 OF 2

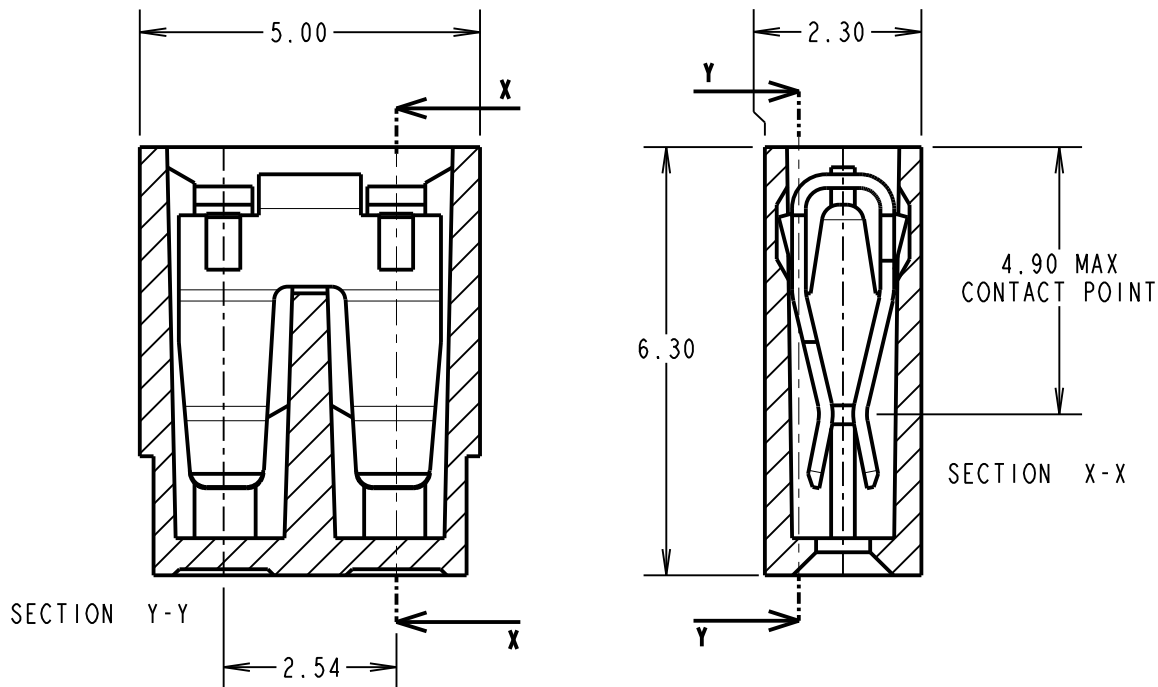
IF IN DOUBT - ASK

©

NOT TO SCALE

THIRD ANGLE PROJECTION

ALL DIMENSIONS IN mm



**SPECIFICATIONS:**

**MATERIAL:**

MOULDING = GLASS FILLED POLYESTER UL94V-0  
(SEE ORDER CODE FOR COLOUR)

CLIP = PHOSPHOR BRONZE

**FINISH:**

05 = 0.13µ GOLD  
46 = 3µ 100% TIN

**ELECTRICAL:**

CURRENT RATING = 3A MAX  
VOLTAGE RATING = 250V AC/DC  
VOLTAGE PROOF = 750V AC  
CONTACT RESISTANCE = 30mΩ MAX (TIN), 25mΩ MAX (GOLD)  
INSULATION RESISTANCE = 1,000MΩ MIN

**MECHANICAL:**

DURABILITY = 50 OPERATIONS (TIN), 300 OPERATIONS (GOLD)  
INSERTION FORCE = 14.5N MAX  
WITHDRAWAL FORCE = 1.0N MIN

**ENVIRONMENTAL:**

TEMPERATURE RANGE = -40°C TO +85°C

**PACKING:**

BAG

**NOTES:**

- MATING PIN = 0.64mm SQUARE.
- FOR COMPLETE SPECIFICATIONS, SEE COMPONENT SPECIFICATION C003XX (LATEST ISSUE).

ORDER CODE: **M75XX-XX**

MOULDING COLOUR

65 - LT. GREY	66 - RED
67 - BLACK	71 - BLUE

CONTACT FINISH

05 - GOLD
46 = 100% TIN

MSP	13	22.10.14	12634
NAME	ISS.	DATE	C/NOTE
APPROVED:		M. PERREN	
CHECKED:		M. PLESTED	
DRAWN:		K. SHIER	
CUSTOMER REF.:			
ASSEMBLY DRG:			

**HARWIN**

www.harwin.com  
technical@harwin.com

THIS DRAWING AND ANY INFORMATION OR DESCRIPTIVE MATTER SET OUT HEREON ARE CONFIDENTIAL AND COPYRIGHT PROPERTY OF THE HARWIN GROUP AND MUST NOT BE DISCLOSED, LOANED, COPIED OR USED FOR MANUFACTURING, TENDERING OR FOR ANY OTHER PURPOSE WITHOUT THEIR WRITTEN PERMISSION.

**TOLERANCES**

X. = ±1mm  
X.X = ±0.25mm  
X.XX = ±0.10mm  
X.XXX = ±0.01mm

ANGLES = ±5°  
UNLESS STATED

**MATERIAL:**

SEE ABOVE

**FINISH:** SEE ABOVE

**S/AREA:** mm<sup>2</sup>

**TITLE:**

JUMPER SOCKET

**DRAWING NUMBER:**

**M7565-XX, M7566-XX, M7597-XX, M7571-XX**

SHT 2 OF 2